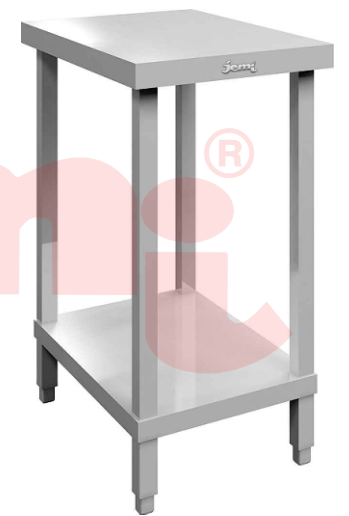
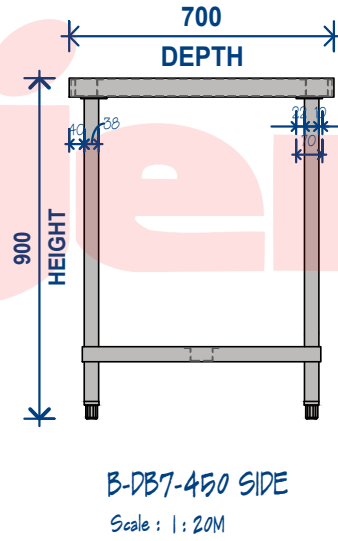
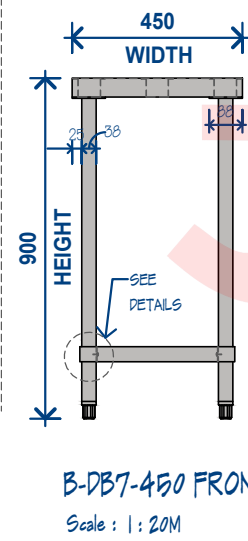
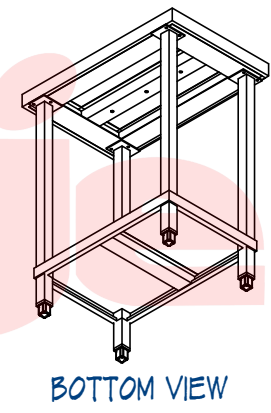
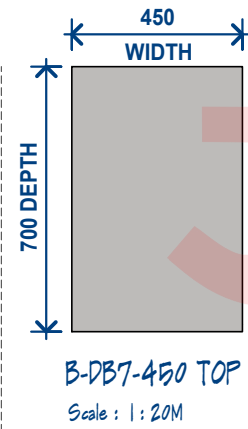
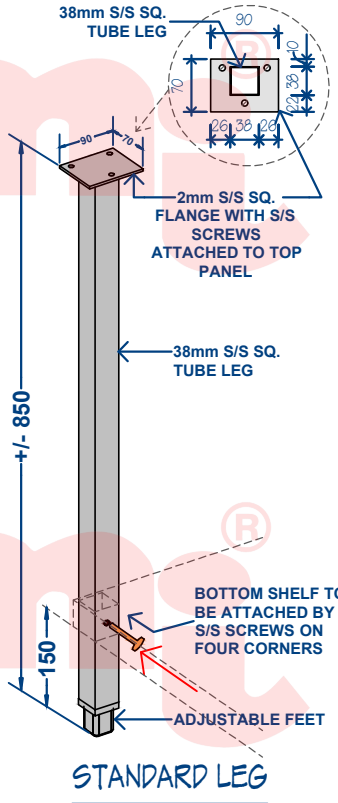
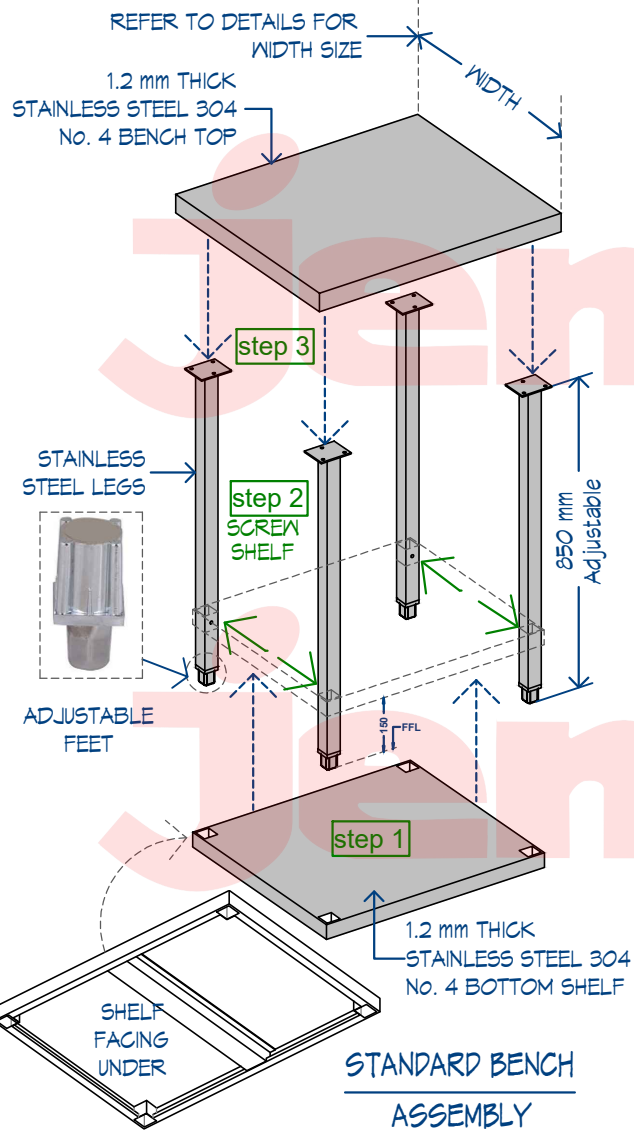
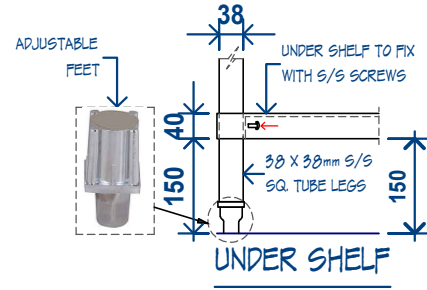




B-DB7-450 STAINLESS STEEL WORK BENCH



FEATURES:

- High quality Heavy duty full stainless kitchen benches
- **Top:** 1.2mm SUS 304 Top, Legs Sus 201
- Top hat stainless stiffening 1/4" hex stainless steel screws make these units
- Second to none in strength and appearance

SPECIFICATIONS:

- **Feet:** Adjustable stainless feet (60mm ~ 70mm)
- **38mm square tube legs**
- **Fascia:** 50mm rolled back edge
- **Under shelves:** Full Stainless under shelf and frames - 1.2mm construction with 40mm fascia all-round
- Easy to assemble, Easy to Clean
- **Dimensions:** W450 x D700 x H900mm

THIS DRAWING MUST NOT BE SCALED
THE CONTRACTOR SHALL VERIFY ALL DIMENSIONS, DATA AND LEVEL PRIOR TO THE COMMENCEMENT OF WORK. ALL ERRORS AND OMISSIONS BETWEEN THE DRAWINGS AND SPECIFICATION ARE TO BE REPORTED IMMEDIATELY.

-----© Copyright of Hospitality Equipment 2020 Pty. Ltd.-----

HE2020
HOSPITALITY EQUIPMENT 2020 PTY LTD
HOSPITALITY EQUIPMENT 2020 Pty. Ltd.

A: Unit 3/49-63 Victoria Street, Smithfield NSW 2164
P: 02 9637 3737
E: salesnsw@he2020.com.au
W: www.he2020.com.au

COMMERCIAL KITCHEN CONSULTANT

DRAWING TITLE: B-DB7-450			
DRAWN L.	DATE Sep. 27, 2021	SCALE As indicated (A4)	
PROJECT NO. 01	DRAWING NO. D2	REV. A1	