



# B-ISR1000-S

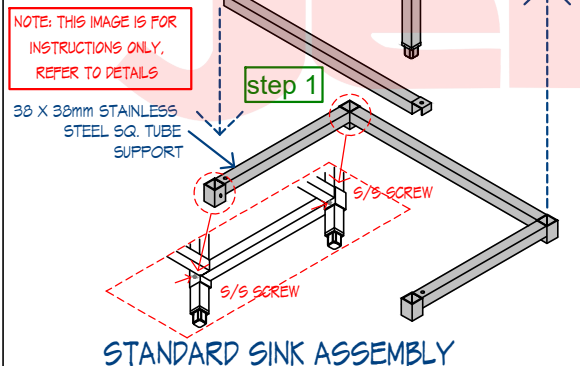
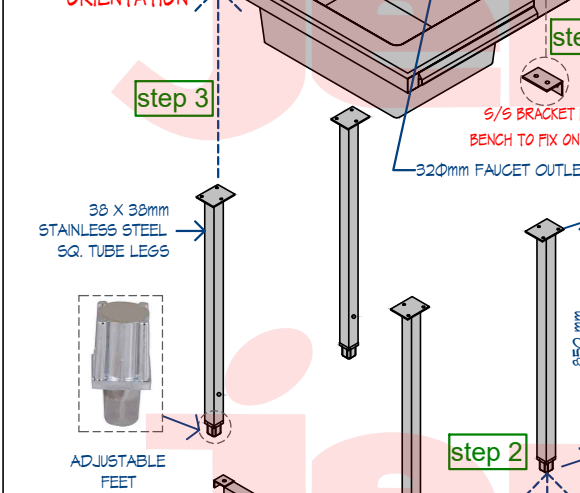
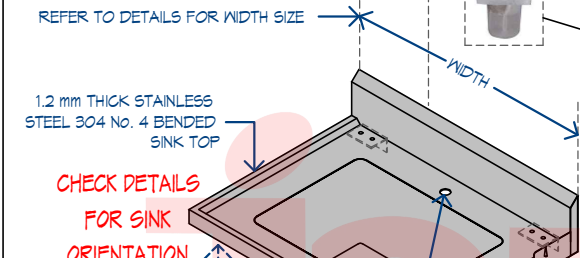
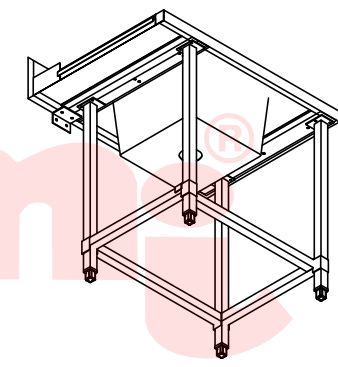
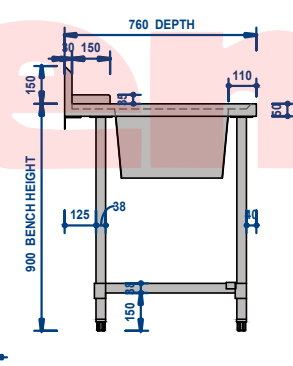
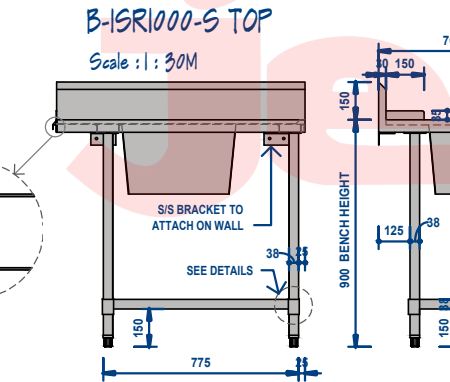
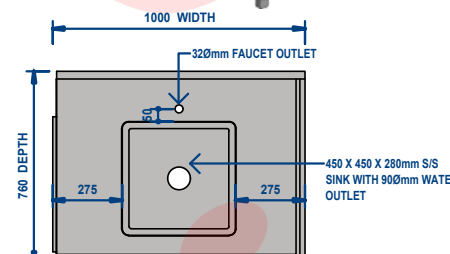
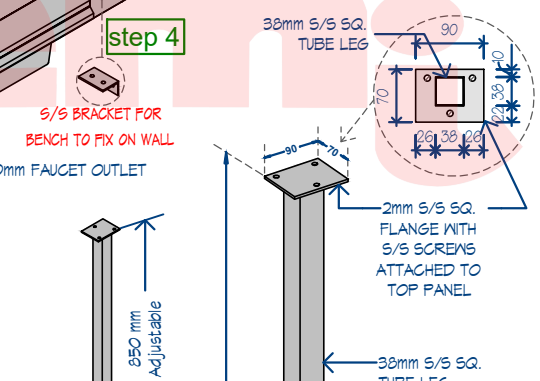
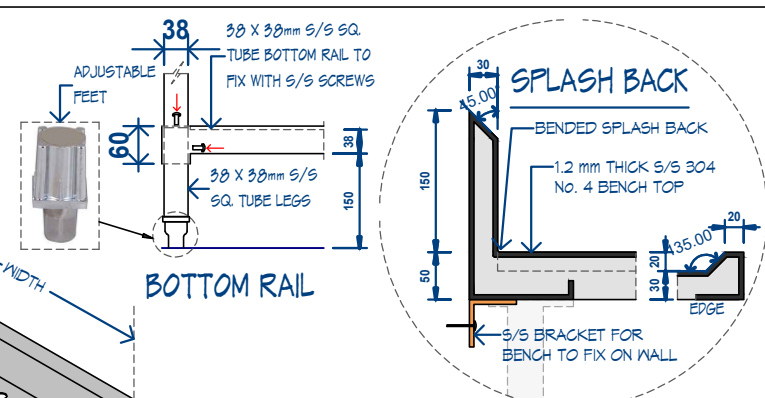
## S/S INLET BENCH RIGHT HANDED

### FEATURES:

- Single sink right side
- **Top:** 1.2mm SUS 304 Top, Legs Sus 201
- **Splash back:** 150mm H, 45° angle beveled edge
- Satin polish stainless steel
- 38mm square frame
- Flat packed for easy transport
- Quick and simple assembly
- Adjustable feet supplied with fixing wall bracket
- Full length wet edge with 50mm fascia

### SPECIFICATIONS:

- Sink size: W450 x D450 x H280mm
- Water outlet diameter: 90Ømm
- Dimensions: W1000 x D700 x H900, bench height / 1050mm, total height
- Weight: 33kg



**THIS DRAWING MUST NOT BE SCALED**

THE CONTRACTOR SHALL VERIFY ALL DIMENSIONS, DATA AND LEVEL PRIOR TO THE COMMENCEMENT OF WORK. ALL ERRORS AND OMISSIONS BETWEEN THE DRAWINGS AND SPECIFICATION ARE TO BE REPORTED IMMEDIATELY.

-----© Copyright of Hospitality Equipment 2020 Pty. Ltd.-----



**HE2020**  
 HOSPITALITY EQUIPMENT 2020 PTY LTD  
**HOSPITALITY EQUIPMENT 2020 Pty. Ltd.**  
 COMMERCIAL KITCHEN CONSULTANT

A: Unit 3/49-63 Victoria Street, Smithfield NSW 2164  
 P: 02 9637 3737  
 E: salesnsw@he2020.com.au  
 W: www.he2020.com.au

DRAWING TITLE: <b>B-ISR1000-S</b>		
DRAWN <b>L.</b>	DATE <b>Sept. 23, 2021</b>	SCALE <b>As indicated (A4)</b>
PROJECT NO. <b>01</b>	DRAWING NO. <b>D6</b>	REV. <b>A1</b>