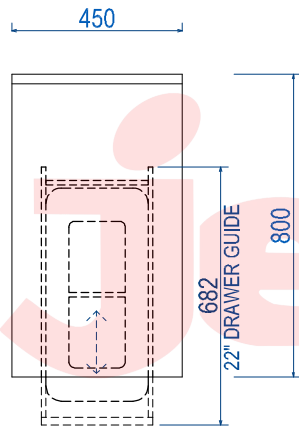


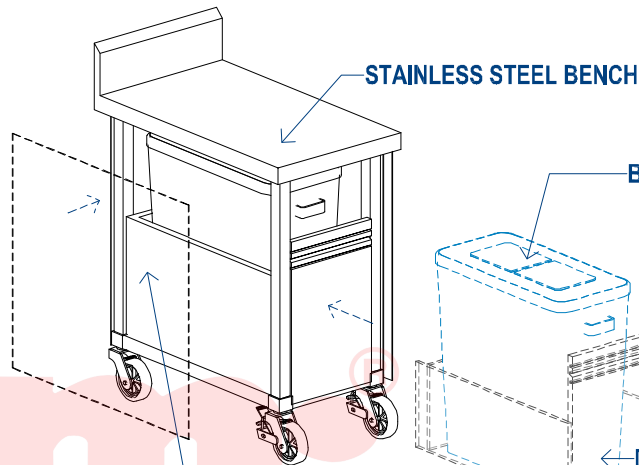


B-MBIN-450

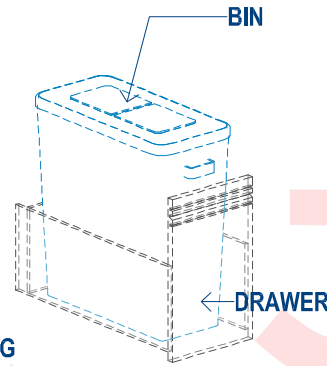
MOBILE BIN INSERT



TOP VIEW
SCALE 1:20

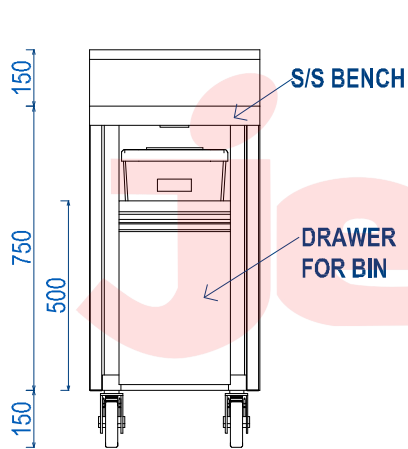


STAINLESS STEEL CLADDING
(left, right & back of bench,
removable with s/s screws for
cleaning)

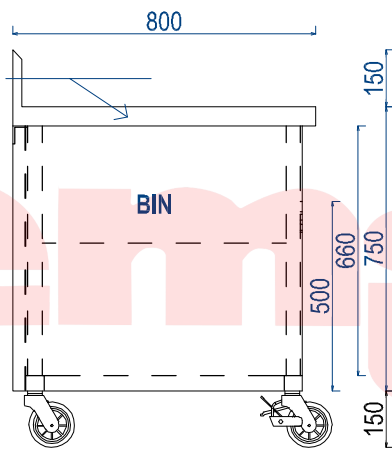


Specifications

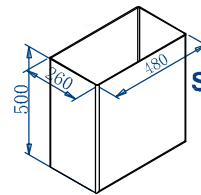
- Adjustable stainless feet (60mm -70mm) 38mm square tube legs Splash back
- 150mm H, 45° angle scaled back Fascia
- 50mm rolled back edge Under shelves
- Full Stainless under shelf and frames
- 1.2mm construction with 40mm fascia allround Easy to assemble, Easy to Clean Bracket
- Stainless steel cladding on sides and back
- 4 x 150mm heavy duty casters
- Bin
- Size: W 450 x D 800 x H 900 / 1050mm



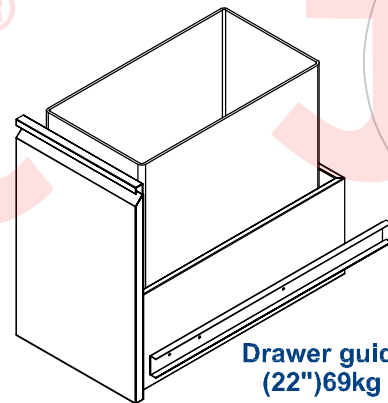
FRONT VIEW
SCALE 1:20



SIDE VIEW
SCALE 1:20



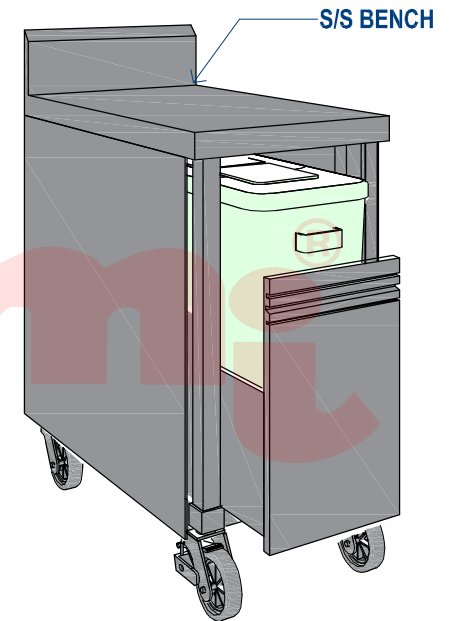
**Suggested size
of trash bin**



**Drawer guide
(22")69kg**



**6" CASTER
370KG**



THIS DRAWING MUST NOT
BE SCALED

THE CONTRACTOR SHALL VERIFY ALL
DIMENSIONS, DATA AND LEVEL PRIOR
TO THE COMMENCEMENT OF WORK.
ALL ERRORS AND OMISSIONS
BETWEEN THE DRAWINGS AND
SPECIFICATION ARE TO BE REPORTED
IMMEDIATELY.



-----© Copyright of Hospitality Equipment 2020 Pty. Ltd.-----

HE2020
HOSPITALITY EQUIPMENT 2020 PTY LTD
HOSPITALITY EQUIPMENT
2020 Pty. Ltd.

A: Unit 3/49-63 Victoria Street,
Smithfield NSW 2164
P: 02 9637 3737
E: salesnsw@he2020.com.au
W: www.he2020.com.au

COMMERCIAL KITCHEN CONSULTANT

DRAWING TITLE:

B-MBIN-450

DRAWN C	DATE Sept. 27, 2021	SCALE 1 : 20	(A4)
PROJECT NO. 001	DRAWING NO. A01	REV. A1	