

B-SS3-1500

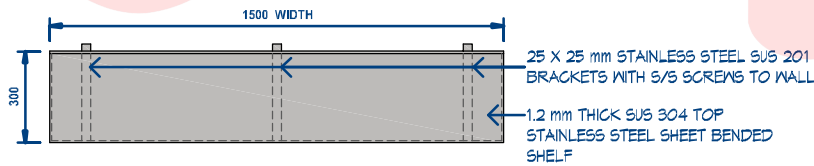
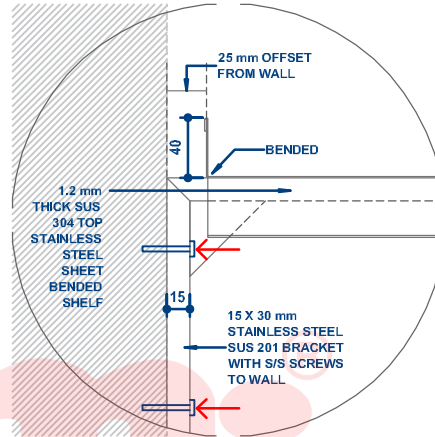
S/S SOLID WALL SHELF 1-TIER

FEATURES:

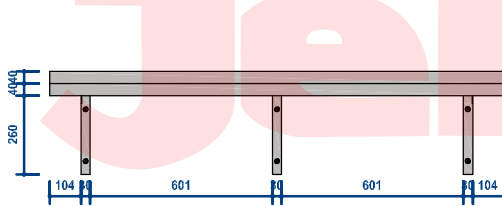
- Stainless steel constructions
- Single tier, solid wall shelf

SPECIFICATIONS:

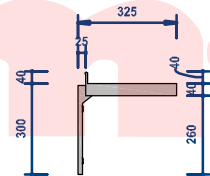
- **Top:** 1.2mm SUS 304Top
- **Brackets:** Sus 201
- 25 mm offset from wall for cleaning
- 40 mm fascia front - two sides
- 35 mm up stand to rear only
- **Dimensions:** W1500 x D325 x H300+40mm



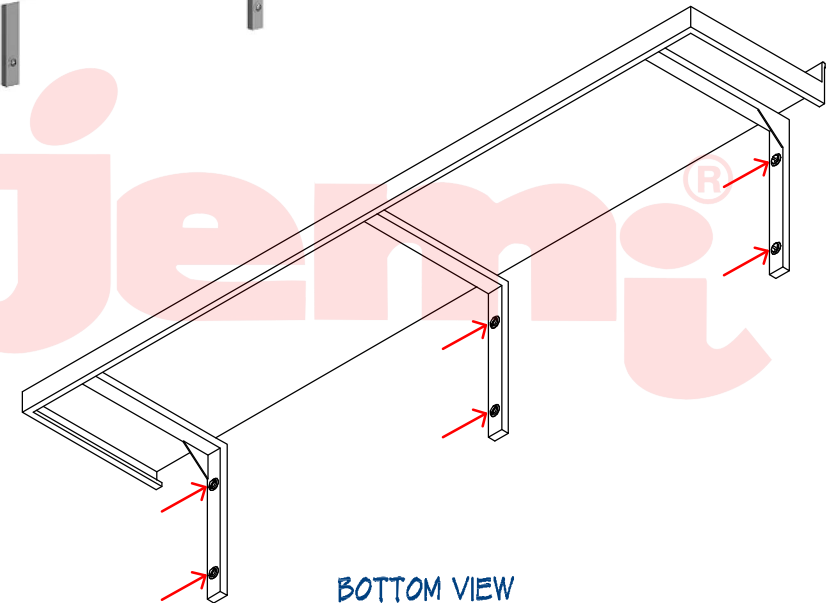
B-SS3-1500 TOP
Scale : 1 : 25M



B-SS3-1500 FRONT
Scale : 1 : 25M



B-SS3-1500 SIDE
Scale : 1 : 25M



BOTTOM VIEW

THIS DRAWING MUST NOT BE SCALED

THE CONTRACTOR SHALL VERIFY ALL DIMENSIONS, DATA AND LEVEL PRIOR TO THE COMMENCEMENT OF WORK. ALL ERRORS AND OMISSIONS BETWEEN THE DRAWINGS AND SPECIFICATION ARE TO BE REPORTED IMMEDIATELY.

-----© Copyright of Hospitality Equipment 2020 Pty. Ltd.-----



HE2020
HOSPITALITY EQUIPMENT 2020 PTY LTD
HOSPITALITY EQUIPMENT
2020 Pty. Ltd.

A: Unit 3/49-63 Victoria Street,
Smithfield NSW 2164
P: 02 9637 3737
E: salesnsw@he2020.com.au
W: www.he2020.com.au

COMMERCIAL KITCHEN CONSULTANT

DRAWING TITLE:

B-SS3-1500

DRAWN	DATE	SCALE	(A4)
L.	Sept. 27, 2021	As indicated	
PROJECT NO.	DRAWING NO.	REV.	
01	A4	A1	