

B-SS3-900

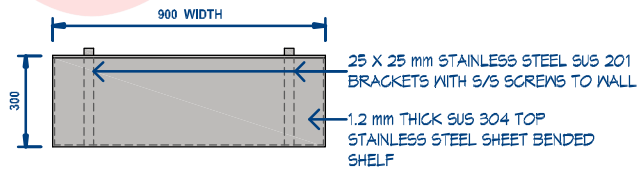
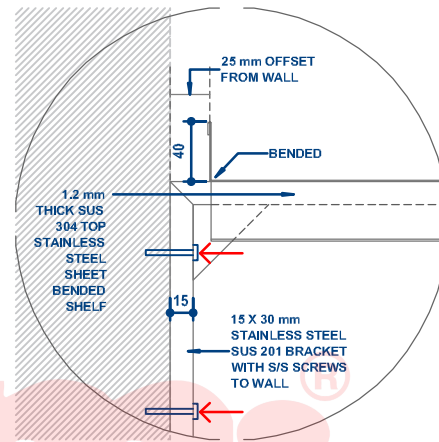
S/S SOLID WALL SHELF 1-TIER

FEATURES:

- Stainless steel constructions
- Single tier, solid wall shelf

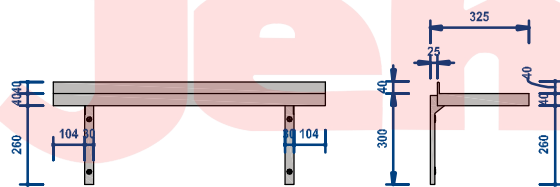
SPECIFICATIONS:

- **Top:** 1.2mm SUS 304Top
- **Brackets:** Sus 201
- 25 mm offset from wall for cleaning
- 40 mm fascia front - two sides
- 35 mm up stand to rear only
- **Dimensions:** W900 x D325 x H300+40mm



B-SS3-900 TOP

Scale : 1 : 25M

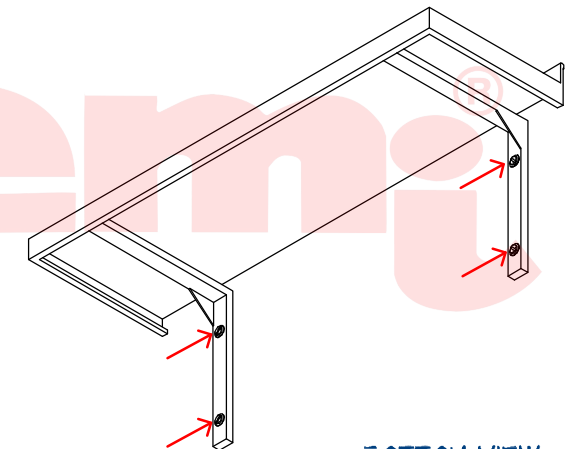


B-SS3-900 FRONT

Scale : 1 : 25M

B-SS3-900 SIDE

Scale : 1 : 25M



BOTTOM VIEW

THIS DRAWING MUST NOT BE SCALED

THE CONTRACTOR SHALL VERIFY ALL DIMENSIONS, DATA AND LEVEL PRIOR TO THE COMMENCEMENT OF WORK. ALL ERRORS AND OMISSIONS BETWEEN THE DRAWINGS AND SPECIFICATION ARE TO BE REPORTED IMMEDIATELY.



-----© Copyright of Hospitality Equipment 2020 Pty. Ltd.-----

HE2020
HOSPITALITY EQUIPMENT 2020 PTY. LTD.
HOSPITALITY EQUIPMENT
2020 Pty. Ltd.

A: Unit 3/49-63 Victoria Street,
Smithfield NSW 2164
P: 02 9637 3737
E: salesnsw@he2020.com.au
W: www.he2020.com.au

COMMERCIAL KITCHEN CONSULTANT

DRAWING TITLE:

B-SS3-900

DRAWN	DATE	SCALE	(A4)
L.	Sept. 27, 2021	As indicated	
PROJECT NO.	DRAWING NO.	REV.	
01	A2	A1	