



B-WB2S-1800R

WET BENCH RIGHT DOUBLE SINK

FEATURES:

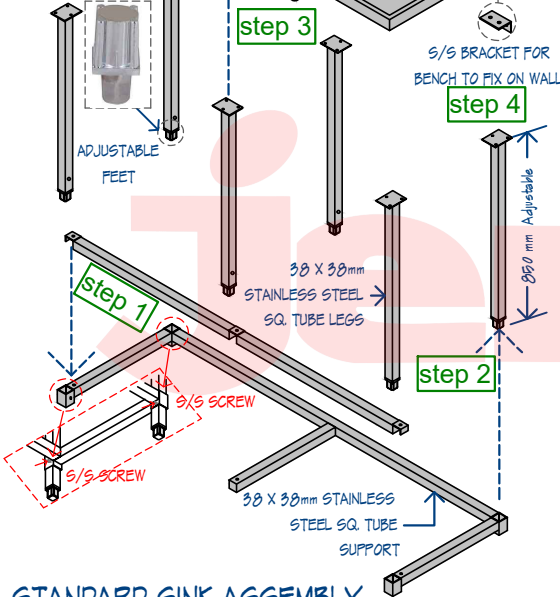
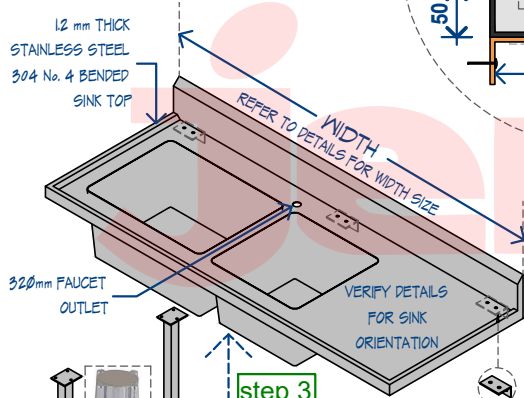
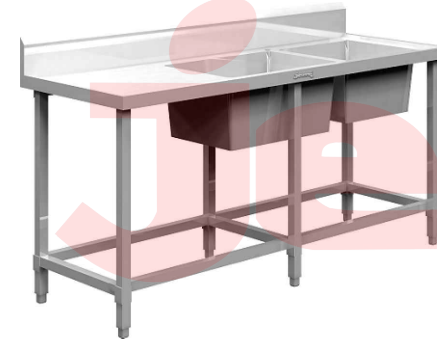
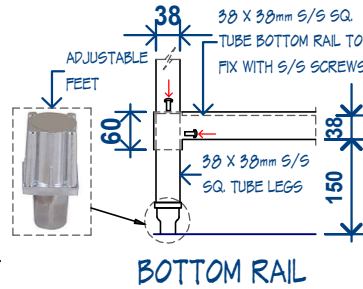
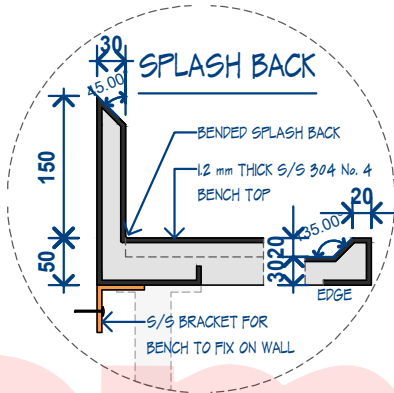
- High quality Heavy duty full stainless kitchen benches
- **Top:** 1.2mm SUS 304Top, Legs Sus 201
- Top hat stainless stiffening
- 1/4" hex screws make these units second to none in strength and appearance
- Stainless steel frames
- Easy to assemble
- Easy to clean

SPECIFICATIONS:

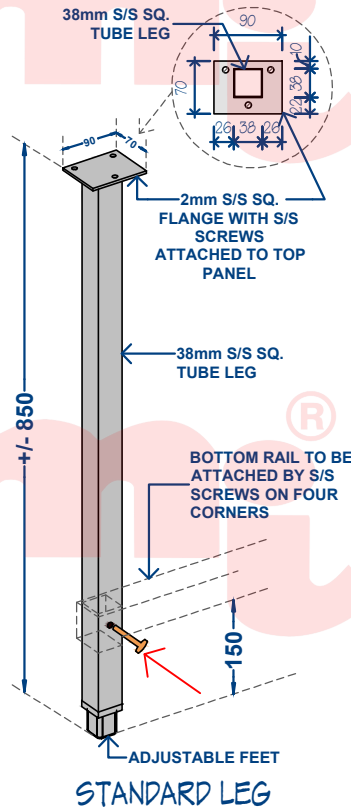
- **Feet:** adjustable stainless feet (60mm - 70mm), 38mm square tube legs
- **Splash back:** 150mm H, 45° angle scaled back
- **Fascia:** 50mm rolled back edge
- **Bracket:** Fixing bracket to wall supplied
- **Dimensions:** W1800 x D700 x H900, bench height / 1050mm, total height

Sink size:

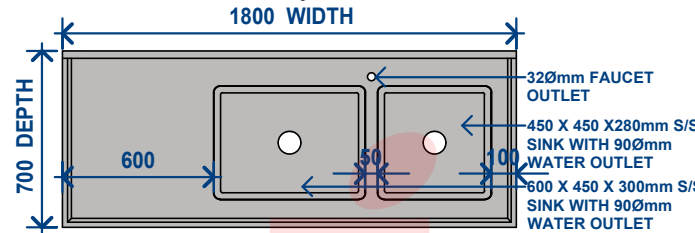
- **Large:** W600 x D450 x H300, Water outlet diameter: 90mm
- **Small:** W450 x D450 x H280, Water outlet diameter: 90mm



STANDARD SINK ASSEMBLY

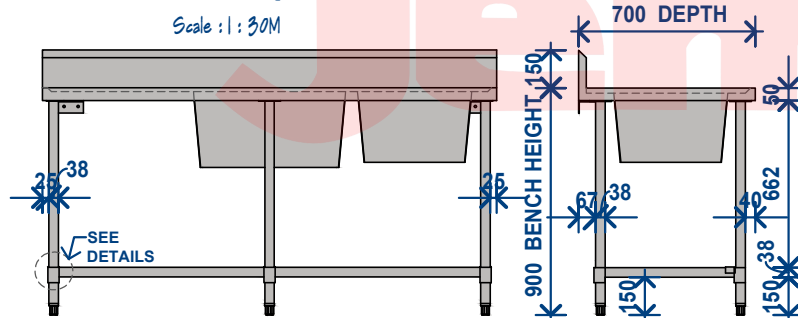


STANDARD LEG



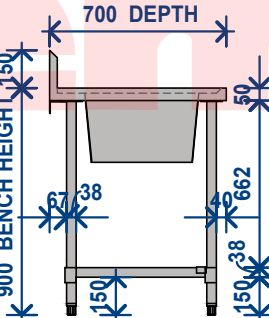
B-WB2S-1800R TOP

Scale : 1 : 30M



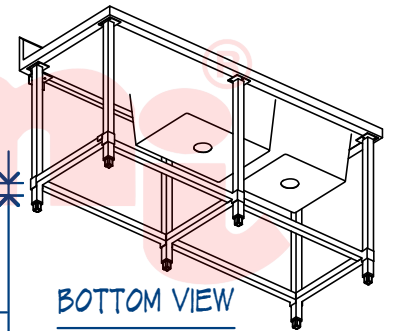
B-WB2S-1800R FRONT

Scale : 1 : 30M



B-WB2S-1800R SIDE

Scale : 1 : 30M



BOTTOM VIEW

THIS DRAWING MUST NOT BE SCALED

THE CONTRACTOR SHALL VERIFY ALL DIMENSIONS, DATA AND LEVEL PRIOR TO THE COMMENCEMENT OF WORK. ALL ERRORS AND OMISSIONS BETWEEN THE DRAWINGS AND SPECIFICATION ARE TO BE REPORTED IMMEDIATELY.

-----© Copyright of Hospitality Equipment 2020 Pty. Ltd.-----



HE2020
HOSPITALITY EQUIPMENT 2020 PTY LTD
HOSPITALITY EQUIPMENT
2020 Pty. Ltd.

A: Unit 3/49-63 Victoria Street, Smithfield NSW 2164
P: 02 9637 3737
E: salesnsw@he2020.com.au
W: www.he2020.com.au

COMMERCIAL KITCHEN CONSULTANT

DRAWING TITLE:

B-WB2S-1800R

DRAWN	DATE	SCALE	(A4)
L.	Sep. 27, 2021	As indicated	
PROJECT NO.	DRAWING NO.	REV.	
01	D12	A1	