



B-WB2S-2400

S/S WET BENCH CENTERED DOUBLE SINK

FEATURES:

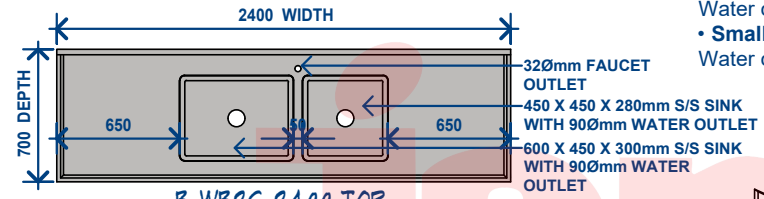
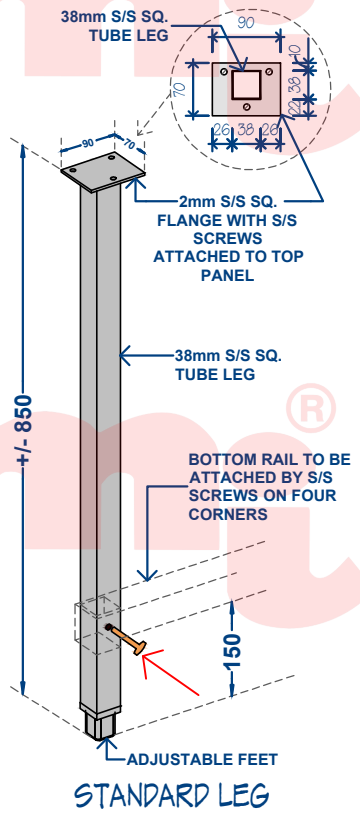
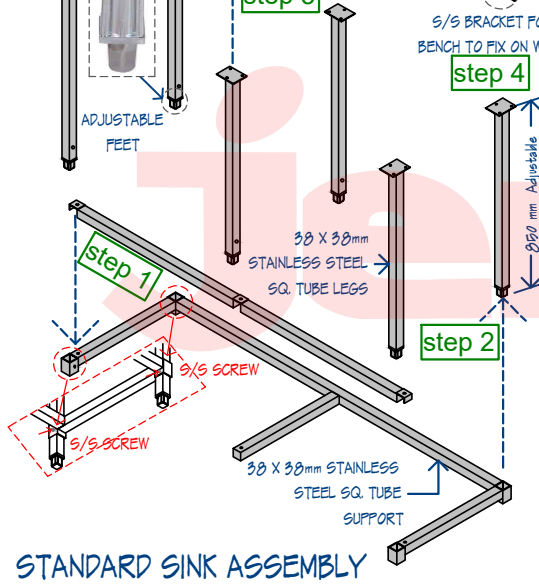
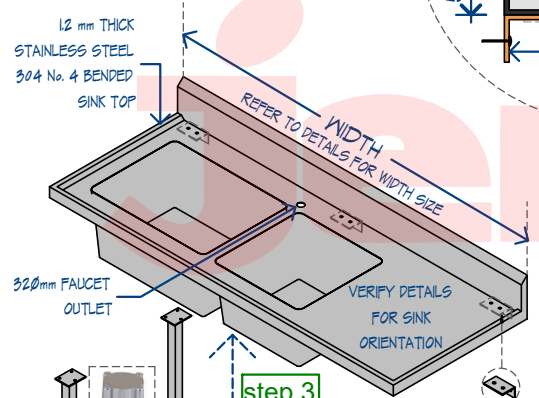
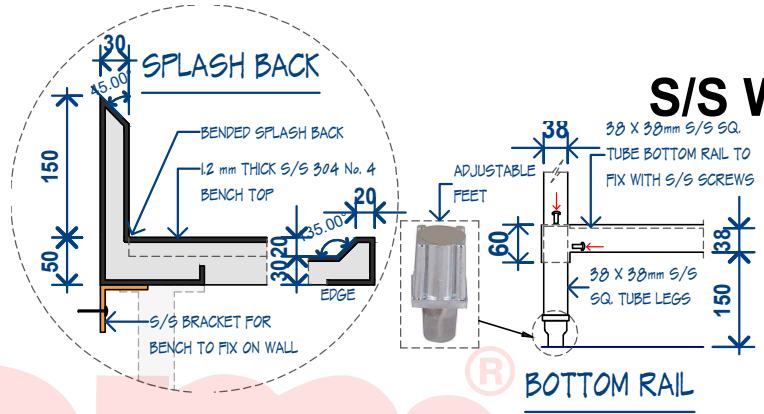
- High quality Heavy duty full stainless kitchen benches
- **Top:** 1.2mm SUS 304 Top, Legs Sus 201
- Top hat stainless stiffening
- 1/4" hex screws make these units second to none in strength and appearance
- Stainless steel frames
- Easy to assemble
- Easy to clean

SPECIFICATIONS:

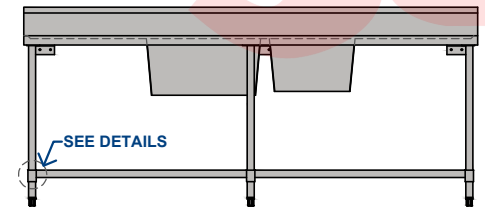
- **Feet:** adjustable stainless feet (60mm - 70mm), 38mm square tube legs
- **Splash back:** 150mm H, 45° angle scaled back
- **Fascia:** 50mm rolled back edge
- **Bracket:** Fixing bracket to wall supplied
- **Dimensions:** W2400 x D700 x H900, bench height / 1050mm, total height

Sink size:

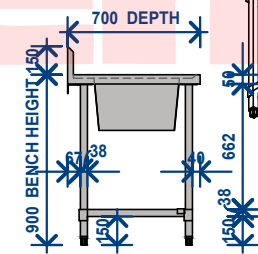
- **Large:** W600 x D450 x H300, Water outlet diameter: 90Ømm
- **Small:** W450 x D450 x H280, Water outlet diameter: 90Ømm



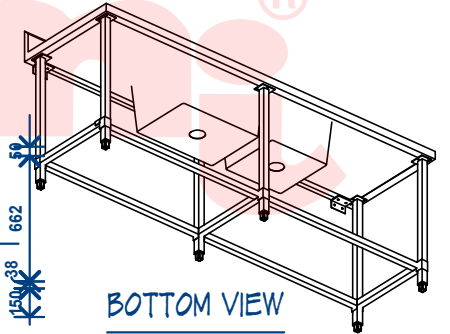
B-WB2S-2400 TOP
Scale: 1:40M



B-WB2S-2400 FRONT
Scale: 1:40M



B-WB2S-2400 SIDE
Scale: 1:40M



BOTTOM VIEW

THIS DRAWING MUST NOT BE SCALED

THE CONTRACTOR SHALL VERIFY ALL DIMENSIONS, DATA AND LEVEL PRIOR TO THE COMMENCEMENT OF WORK. ALL ERRORS AND OMISSIONS BETWEEN THE DRAWINGS AND SPECIFICATION ARE TO BE REPORTED IMMEDIATELY.

-----© Copyright of Hospitality Equipment 2020 Pty. Ltd.-----



HE2020
 HOSPITALITY EQUIPMENT 2020 PTY LTD
HOSPITALITY EQUIPMENT
 2020 Pty. Ltd.

A: Unit 3/49-63 Victoria Street, Smithfield NSW 2164
 P: 02 9637 3737
 E: salesnsw@he2020.com.au
 W: www.he2020.com.au

COMMERCIAL KITCHEN CONSULTANT

DRAWING TITLE:

B-WB2S-2400

DRAWN	DATE	SCALE
L.	Sep. 27, 2021	As indicated (A4)
PROJECT NO.	DRAWING NO.	REV.
01	D13	A1