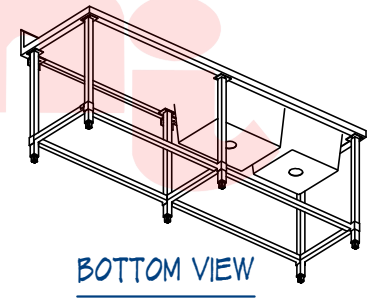
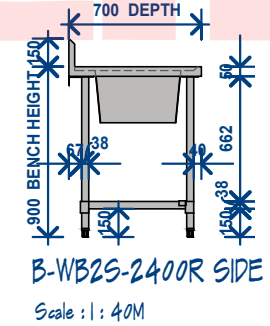
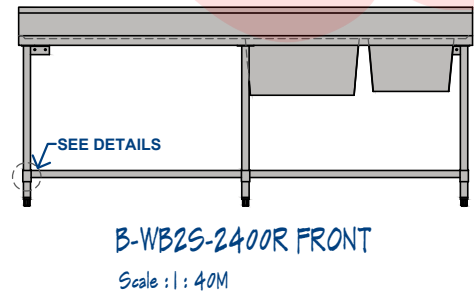
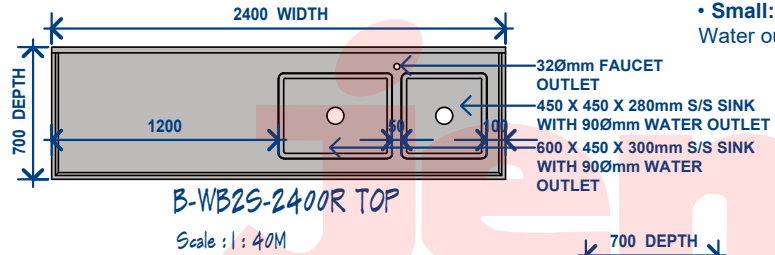
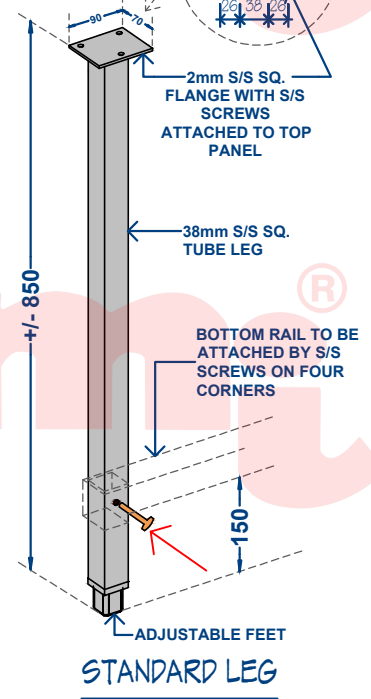
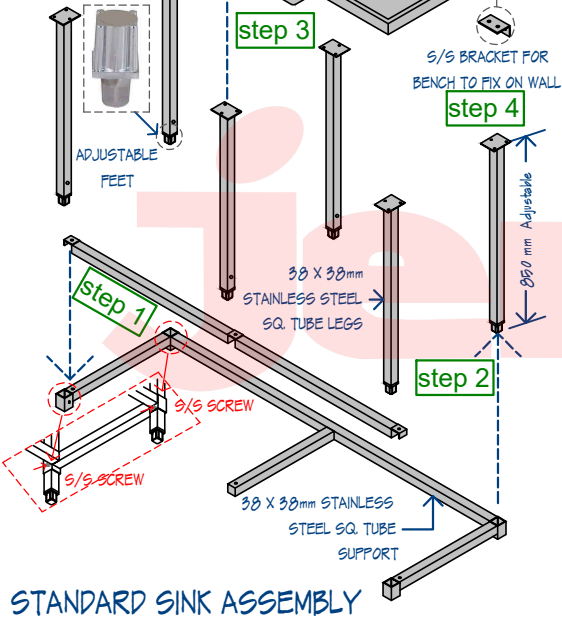
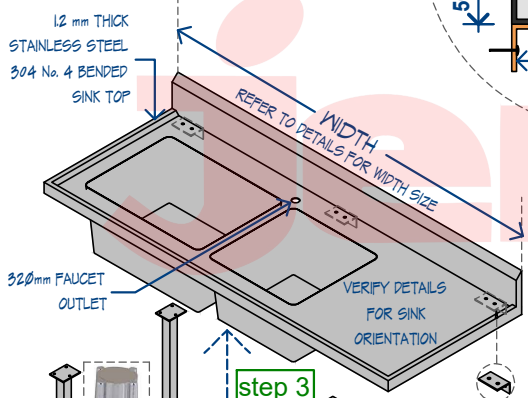
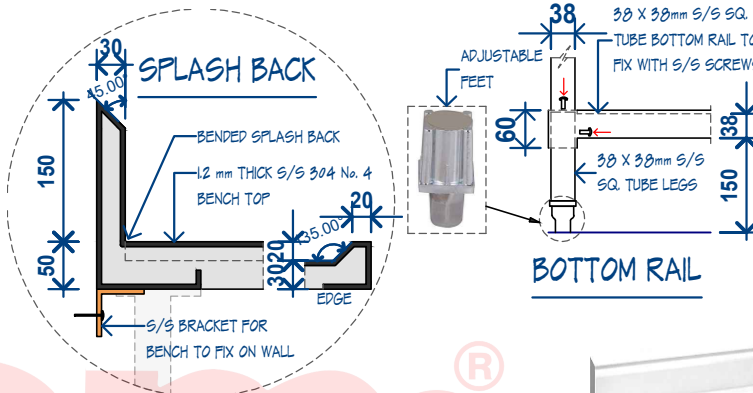




# B-WB2S-2400R

## S/S WET BENCH RIGHT DOUBLE SINK



- FEATURES:**
- High quality Heavy duty full stainless kitchen benches
  - **Top:** 1.2mm SUS 304 Top, Legs Sus 201
  - Top hat stainless stiffening
  - 1/4" hex screws make these units second to none in strength and appearance
  - Stainless steel frames
  - Easy to assemble
  - Easy to clean
- SPECIFICATIONS:**
- **Feet:** adjustable stainless feet (60mm - 70mm), 38mm square tube legs
  - **Splash back:** 150mm H, 45° angle scaled back
  - **Fascia:** 50mm rolled back edge
  - **Bracket:** Fixing bracket to wall supplied
  - **Dimensions:** W2400 x D700 x H900, bench height / 1050mm, total height
- Sink size:**
- **Large:** W600 x D450 x H300, Water outlet diameter: 90mm
  - **Small:** W450 x D450 x H280, Water outlet diameter: 90mm

**THIS DRAWING MUST NOT BE SCALED**  
 THE CONTRACTOR SHALL VERIFY ALL DIMENSIONS, DATA AND LEVEL PRIOR TO THE COMMENCEMENT OF WORK. ALL ERRORS AND OMISSIONS BETWEEN THE DRAWINGS AND SPECIFICATION ARE TO BE REPORTED IMMEDIATELY.

-----© Copyright of Hospitality Equipment 2020 Pty. Ltd.-----

**HE2020**  
 HOSPITALITY EQUIPMENT 2020 PTY LTD  
**HOSPITALITY EQUIPMENT 2020 Pty. Ltd.**  
 COMMERCIAL KITCHEN CONSULTANT

A: Unit 3/49-63 Victoria Street, Smithfield NSW 2164  
 P: 02 9637 3737  
 E: salesnsw@he2020.com.au  
 W: www.he2020.com.au

DRAWING TITLE: <b>B-WB2S-2400R</b>			
DRAWN <b>L.</b>	DATE <b>Sep. 27, 2021</b>	SCALE <b>As indicated (A4)</b>	
PROJECT NO. <b>01</b>	DRAWING NO. <b>D16</b>	REV. <b>A1</b>	