

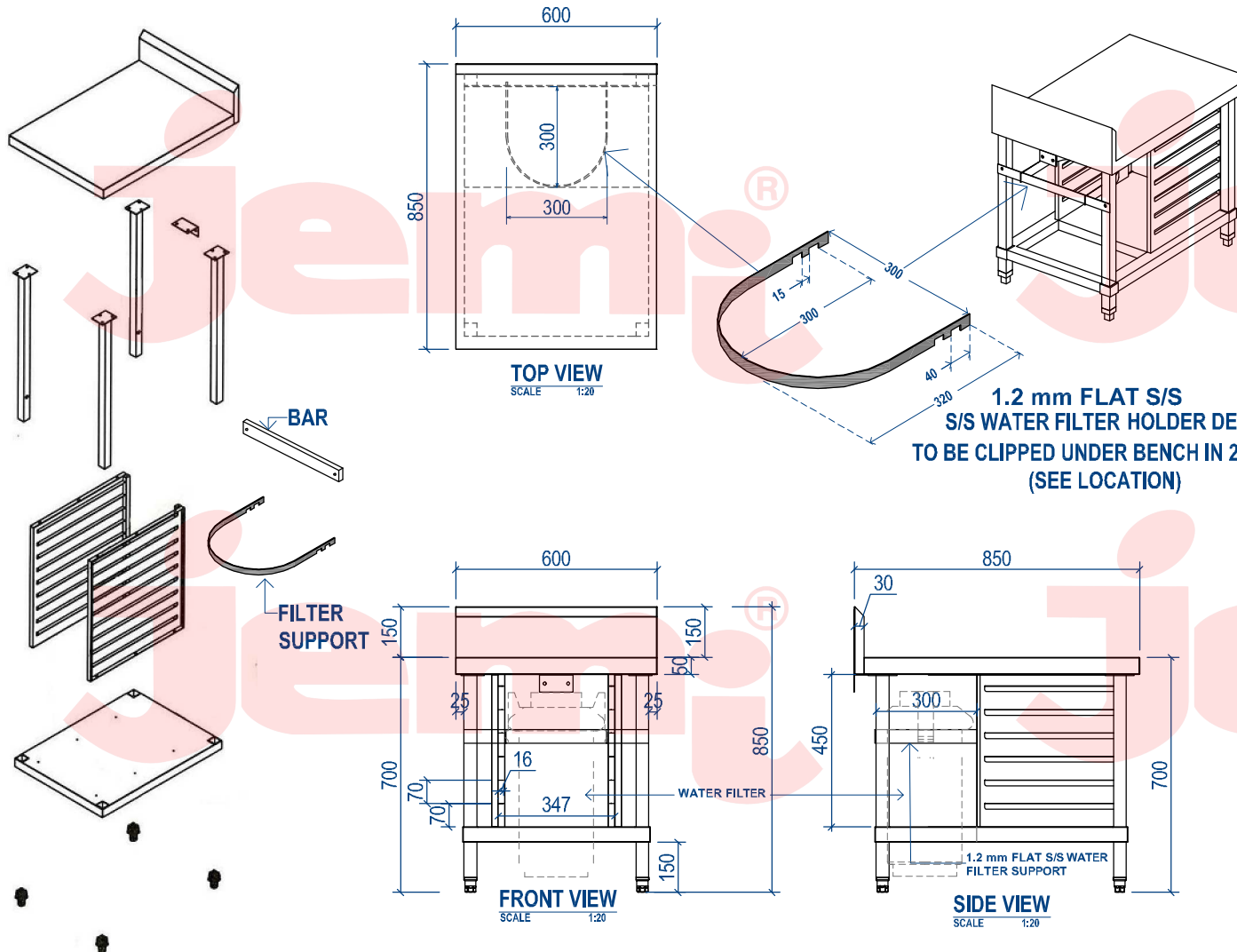


# B-WB850C-LOW

## COMPACT COMBI STAND WITH SPLASHBACK

### Specifications

- GN tray racks at 70 mm distance
- Feet: Adjustable stainless feet (60mm - 70mm)
- 38mm square tube legs Splash back
- 150mm H, 45° angle scaled back Fascia
- 50mm rolled back edge Under shelves
- Full Stainless under shelf and frames - 1.2mm construction with 40mm fascia all-round Easy to assemble, Easy to Clean Bracket
- Fixing bracket to wall supplied
- Size: W600 x D850 x H700 / 850mm



THIS DRAWING MUST NOT BE SCALED

THE CONTRACTOR SHALL VERIFY ALL DIMENSIONS, DATA AND LEVEL PRIOR TO THE COMMENCEMENT OF WORK. ALL ERRORS AND OMISSIONS BETWEEN THE DRAWINGS AND SPECIFICATION ARE TO BE REPORTED IMMEDIATELY.



-----© Copyright of Hospitality Equipment 2020 Pty. Ltd.-----

**HE2020**  
HOSPITALITY EQUIPMENT 2020 PTY LTD  
**HOSPITALITY EQUIPMENT**  
**2020 Pty. Ltd.**

**DETAILS**  
A: Unit 3/49-63 Victoria Street.  
B: 2164 NSW 2164  
P: 02 9637 3737  
E: salesnsw@he2020.com.au  
W: www.he2020.com.au

COMMERCIAL KITCHEN CONSULTANT

DRAWING TITLE:

**B-WB850C-LOW**

DRAWN <b>L.</b>	DATE <b>Sept. 23, 2021</b>	SCALE <b>1 : 20</b>	(A4)
PROJECT NO. <b>001</b>	DRAWING NO. <b>A01</b>	REV. <b>A1</b>	