

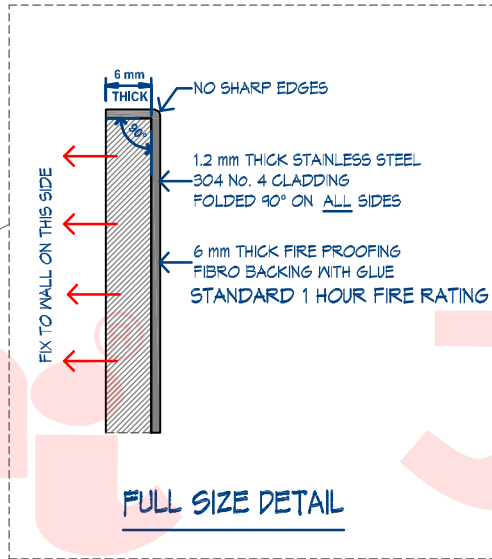
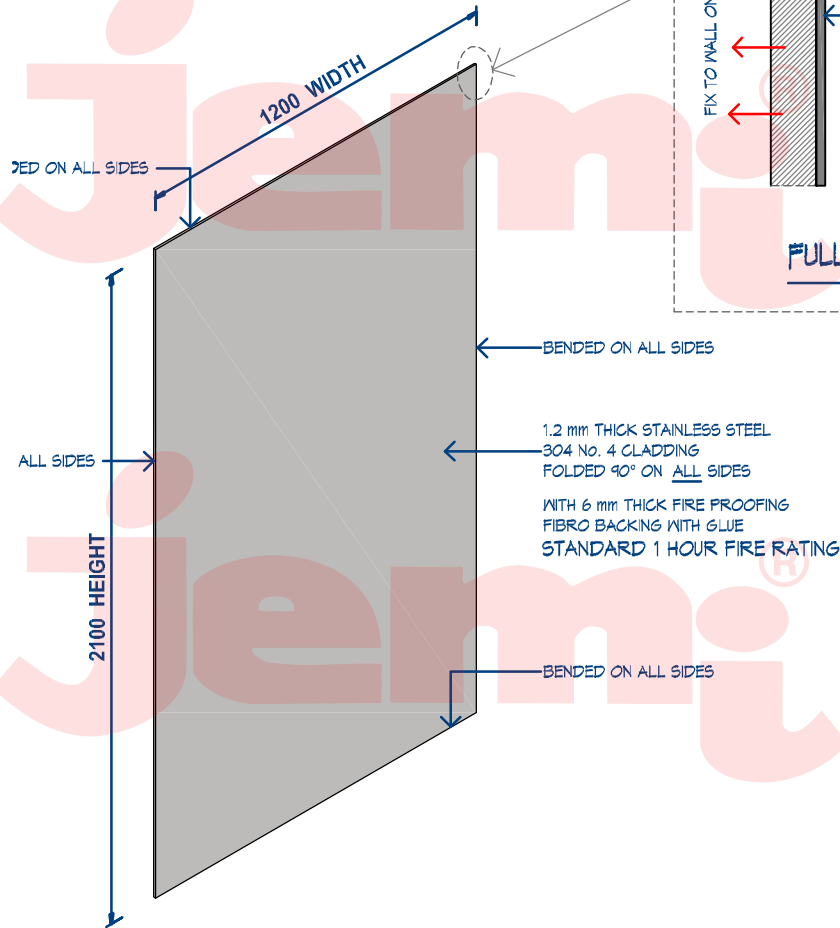


HEWCLADDING-1200

S/S WALL CLADDING

FEATURES:

- Thickness 6mm thick backing
- With fireproof board
- **STANDARD 1 HOUR FIRE RATING**
- **Dimensions: W1200 x H900 x 6mm THICK**



THIS DRAWING MUST NOT BE SCALED

THE CONTRACTOR SHALL VERIFY ALL DIMENSIONS, DATA AND LEVEL PRIOR TO THE COMMENCEMENT OF WORK. ALL ERRORS AND OMISSIONS BETWEEN THE DRAWINGS AND SPECIFICATION ARE TO BE REPORTED IMMEDIATELY.



-----© Copyright of Hospitality Equipment 2020 Pty. Ltd.-----

HE2020
HOSPITALITY EQUIPMENT 2020 PTY LTD
HOSPITALITY EQUIPMENT
2020 Pty. Ltd.

A: 6/6 Tennyson Street,
GRANVILLE NSW 2142
P: 02 9637 3737
E: salesnsw@he2020.com.au
W: www.he2020.com.au

DRAWING TITLE:

HEWCLADDING-1200

DRAWN	L.	DATE	Jan. 14, 2021	SCALE	As indicated (A4)
PROJECT NO.	01	DRAWING NO.	A1	REV.	A1

COMMERCIAL KITCHEN CONSULTANT