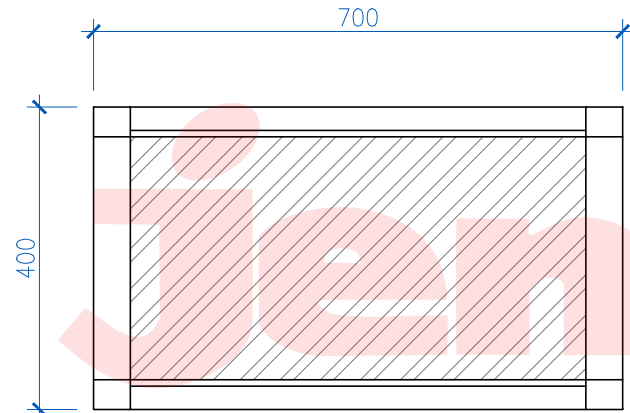
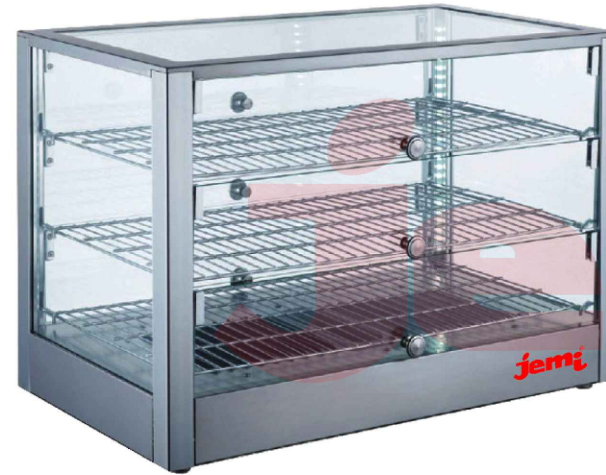




JEMI-115P PIE WARMER (115 PIES)

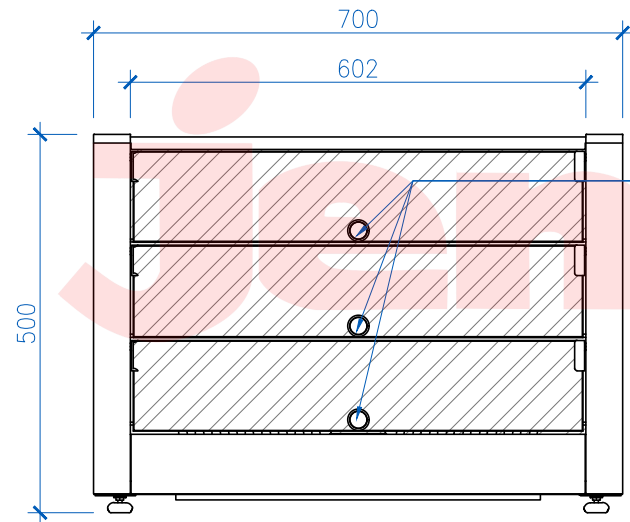


1 JEMI-115P TOP
Scale: 1 : 10



Specification

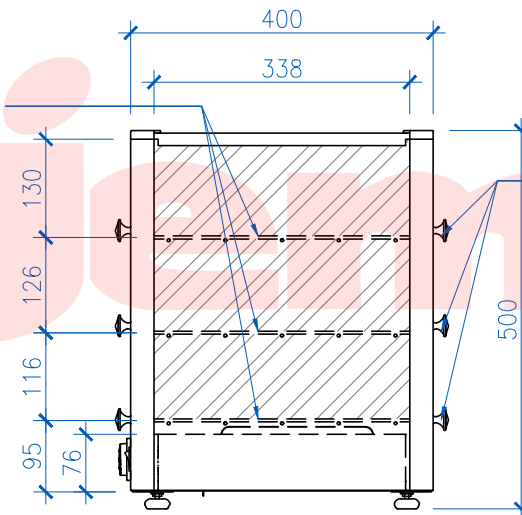
- Brilliant Internal LED illumination on sides
- Adjustable temperature controller
- Non-adjustable chrome plated shelves
- Stainless steel
- 4 front and back hinge door
- Capacity-Gross (L) : 115
- Temperature range: 30°C ~ 90°C
- Dimension: W700 x D400 x H500mm
- Power: 10Amps; 1250w; 230V
- Weight: 19.7kg



2 JEMI-115P FRONT
Scale: 1 : 10

NON-ADJUSTABLE
CHROME PLATED
SHELVES

STAINLESS STEEL 4
FRONT AND BACK
HINGE DOOR



3 JEMI-115P SIDE
Scale: 1 : 10

STAINLESS STEEL 4
FRONT AND BACK
HINGE DOOR

THIS DRAWING MUST NOT BE SCALED

THE CONTRACTOR SHALL VERIFY ALL DIMENSIONS, DATA AND LEVEL PRIOR TO THE COMMENCEMENT OF WORK. ALL ERRORS AND OMISSIONS BETWEEN THE DRAWINGS AND SPECIFICATION ARE TO BE REPORTED IMMEDIATELY.



HOSPITALITY EQUIPMENT 2020 Pty Ltd
6/6 Tennyson Street, GRANVILLE NSW 2142
P: 02 9637 3737
E: salesNSW@he2020.com.au W: www.he2020.com.au

PROJECT: DETAILS
INSTALLATION:

DRAWING TITLE:		
JEMI-115P		
DRAWN:	DRAWN:	SCALE:
C.	02.03.2020	1:10
PROJECT NO:	DRAWING NO:	REV:
001	0001	01