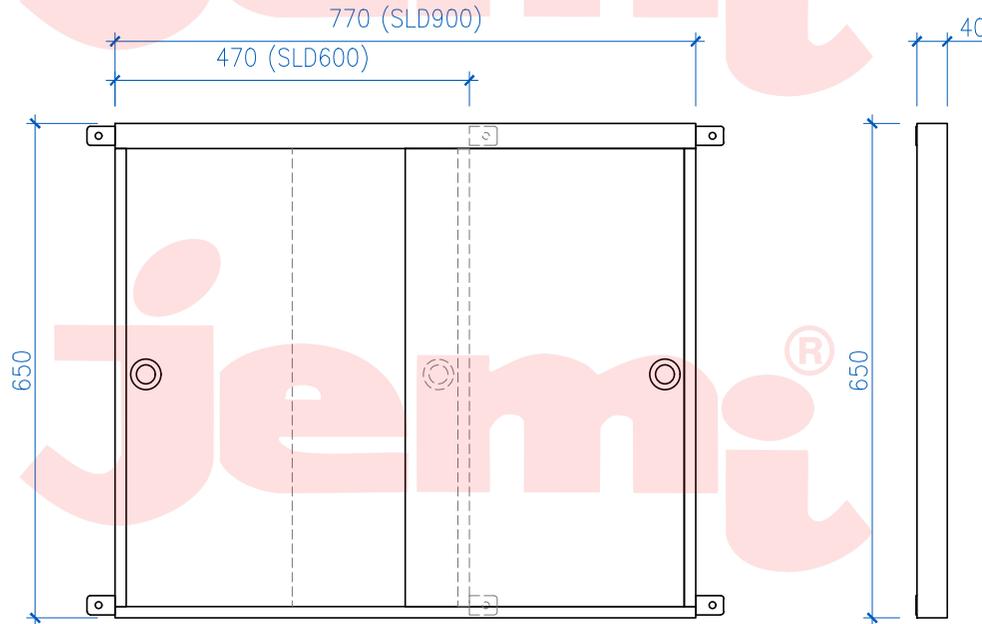


1 SLIDING DOOR TOP
Scale:1 : 10



1 SLIDING DOOR FRONT
Scale:1 : 10

1 SLIDING DOOR SIDE
Scale:1 : 10



Specification

- stainless steel sliding doors
- including tracks
- SEE STAINLESS STEEL BENCH FOR SUITEABILITY

MODEL	DIMENSION			EXTRA DESCRIPTION
	WIDTH (W)	DEPTH (D)	HEIGHT (H)	
SLD600	470	40	650	COMES WITH DOORS AND TRACKS
SLD900	770	40	650	COMES WITH DOORS AND TRACKS

THIS DRAWING MUST NOT BE SCALED

THE CONTRACTOR SHALL VERIFY ALL DIMENSIONS, DATA AND LEVEL PRIOR TO THE COMMENCEMENT OF WORK. ALL ERRORS AND OMISSIONS BETWEEN THE DRAWINGS AND SPECIFICATION ARE TO BE REPORTED IMMEDIATELY.



-----© Copyright of Hospitality Equipment 2020 Pty. Ltd.-----



HE2020
HOSPITALITY EQUIPMENT 2020 PTY LTD
HOSPITALITY EQUIPMENT 2020 Pty. Ltd.

A: Unit 3/49-63 Victoria Street, Smithfield NSW 2164
P: 02 9637 3737
E: salesnsw@he2020.com.au
W: www.he2020.com.au

DRAWING TITLE:

SLD600, SLD900

DRAWN	C.	DATE	27. Sep. 2021	SCALE	1:20 (A4)
PROJECT NO.	DRAWING NO.			REV.	A1

COMMERCIAL KITCHEN CONSULTANT